



DEEP COOL

28L AND 35L



UK: INSTRUCTION MANUAL
DE: BEDIENUNGSANLEITUNG



INNOVATIVE FAMILY CAMPING



Please read this operating manual carefully before starting the device. Keep it in a safe place for future reference. If the device is passed on to another person, this operating manual must be handed over to the user along with it.

The manufacturer cannot be held liable for damage resulting from **improper usage** or **incorrect operating**.

CONTENT

1	Explanation of symbols	3
2	Safety instructions	4
2.1	General safety.....	4
2.2	Operating the device safety.....	4
3	Scope of delivery.....	5
3.1	Accessories.....	5
4	Intended use	5
5	Function description	5
5.1	Scope of functions	6
5.2	Operating and display elements	7
6	Operation	8
6.1	Before initial use.....	8
6.2	Energy saving tips.....	8
6.3	Connection the freezer.....	9
6.4	Using the battery monitor.....	9
6.5	Using the freezer	10
6.6	Setting the temperature.....	10
6.7	Using the emergency switch (where fitted)	10
6.8	Switching off the freezer	11
6.9	Defrosting the freezer	11
6.10	Replacing the plug fuse(12/24V)	11
6.11	Replacing the light PCB.....	12
7	Cleaning and maintenance	12
8	Troubleshooting.....	13
9	Technical data	14

1 EXPLANATION OF SYMBOLS

DANGER!

Safety instruction: Failure to observe this instruction will cause fatal or serious injury.

WARNING!

Safety instruction: Failure to observe this instruction can cause fatal or serious injury.

CAUTION!

Safety instruction: Failure to observe this instruction can lead to injury.

NOTICE!

Failure to observe this instruction can cause material damage and impair the function of this product.

NOTE

Supplementary information for operating the product.

Action: This symbol indicated that action is required on your part. The required action is described step-by-step.

This symbol describes the result of an action.

This refers to an element in an illustration. In this case, item 5 in figure 1 on page 3.

INSTRUCTION



2 Safety instructions

2.1 General safety

WARNING!

- Do not operate the device if it is visibly damaged.
- This device may only be repaired by qualified personnel.
- Improper repairs can lead to considerable hazards.
- Persons (including children) whose physical, sensory or mental capacities or whose lack of experiences or knowledge prevent them from using this product safely should not operate it without the supervision or instruction of a responsible person.
- **Electrical devices are not toys.**
- Always keep and use the device out of the reach of children.
- Children must be supervised to ensure that they do not play with the device.
- If this device's power cable is damaged, it must be replaced by the manufacturer, customer service or a similar qualified person in order to prevent safety hazards.
- Do not store any explosive substances such as spray cans with propellants in the device.

CAUTION!

- Disconnect the device from the mains
 - before cleaning and maintenance
 - after use
- Food may only be stored in its original packaging or in suitable containers.

NOTICE!

- Only connect the device as follows:
 - With the DC cable to a DC plug socket in the vehicle(e.g. cigarette lighter)
 - Or external AC adaptor to the 100-240V AC mains supply - Option
- Check that the voltage specification on the type plate corresponds to that of the energy supply. The cooling device is not suitable for transporting caustic materials or materials containing solvents.
- Never pull the plug out of the socket by the cable.
- If the freezer is connected to the DC socket: Disconnect the cooler and other power consuming devices from the battery before connecting the quick charging device.
- If the freezer is connected to the DC socket: Disconnect the cooler or switch it off when you turn off the engine. Otherwise you may discharge the battery.

2.2 Operating the device safely

DANGER!

- Do not touch exposed cables with your bare hands. This especially applies when operating the device with an AC mains power supply.

CAUTION!

- Before starting the device, ensure that the power supply line and the plug are dry.

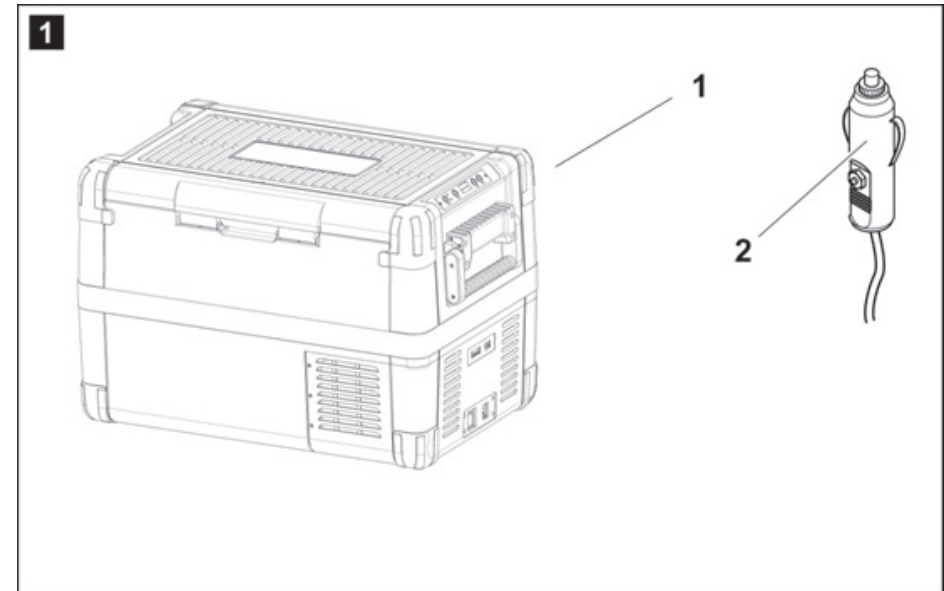
NOTICE!

- Do not use electrical devices inside the cooler unless they are recommended by the manufacturer for the purpose.
- Do not place the device near naked flames or other heat sources (heaters, direct sunlight, gas ovens etc.).
- Danger of overheating!
- Ensure at all times that there is sufficient ventilation so that the heat that arises during operating does not build up. Make sure that the device is sufficiently far away from walls and other objects so that the air can circulate.
- Ensure that the ventilation slots are not covered.
- Do not fill the inner container with ice or fluid.
- Never immerse the device in water.
- Protect the device and the cable against heat and moisture.

INSTRUCTION



3 Scope of delivery



Item	Quantity	Description
1	1	Cooler
2	1	DC cable for 12/24 V
-	1	AC adaptor for 100V-240 V ~ Option
-	1	Operating manual

4 Intended use

The Freezer is suitable for cooling and freezing foods. The device is also suitable for use on boats.

The device is designed to be operated from a 12V---or 24V---on-board supply socket of a vehicle (e.g. cigarette lighter), boat or caravan

CAUTION! Health hazard!

Please check if the cooling capacity of the device is suitable for storing the food or medicine you wish to cool.

5 Function description

The Freezer can chill products, keep them cool as well as freeze them. A low maintenance refrigerant circuit with compressor provides the cooling. The generous insulation and powerful compressor ensure efficient and fast cooling.

The freezer is portable.

The freezer can withstand a constant heel (inclination) of 30°, for example when used on boats.

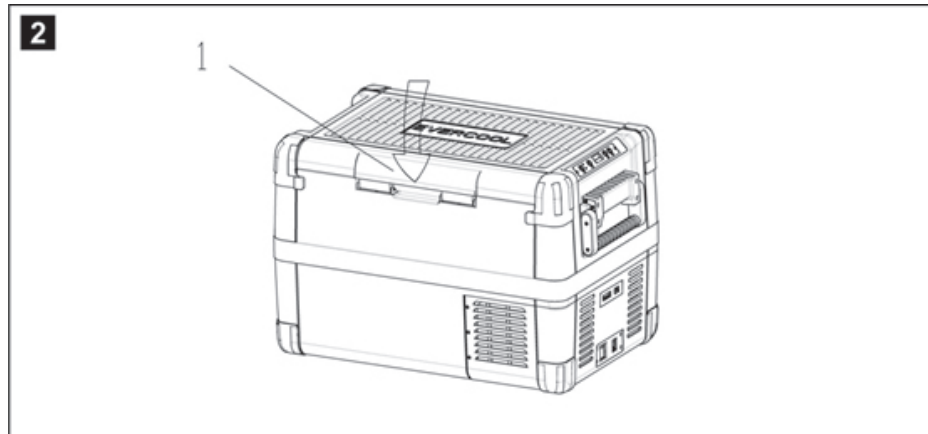


5.1 Scope of functions

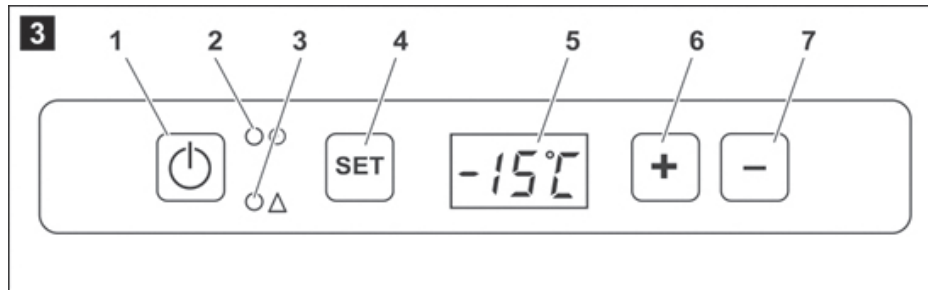
- Power supply with priority circuit for connecting to the AC mains
- Three-level battery monitor to protect the vehicle battery
- Display with temperature gauge in °C and °F
- Switches off and automatically at low battery voltage
- Temperature setting: With two buttons in steps of 1°C(2°F)
- Foldable carrying handles
- Emergency switch (where fitted)
- Removable wire basket

5.2 Operating and display elements

Latch for lid, fig.2

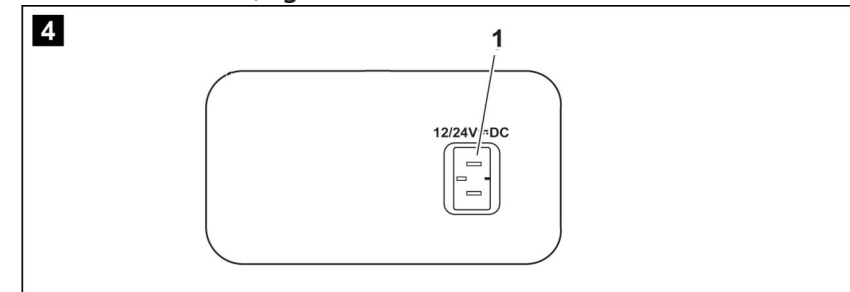


Operating panel, fig3



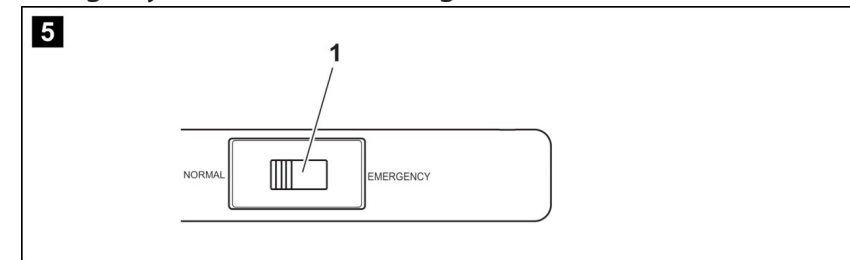
Item	Description	Explanation		
1	ON	Switches the cooler on or off when the button is pressed for between one and two seconds		
	OFF			
2	POWER	Status indication		
		LED lights up green: Compressor is on		
		LED lights up orange: Compressor is off		
3	ERROR	Number of flashes	Error Type	
		LED flashes red	5	Thermal cut-out of controller
			4	Minimum motor speed error
			3	Motor start error
			2	Fan over-current cut-out
		1	Battery protection cut-out	
4	SET	Selects the input mode -Temperature setting -Celsius or Fahrenheit display -Set battery monitor		
5	POWER	Display, shows the information		
6		Press once to increase the value		
7		Press once to decrease the value		

Connection sockets, fig4



Item	Description
1	Connection socket DC voltage supply

Emergency switch (when fitted), fig5





Item	Description
1	Emergency switch

6 Operation

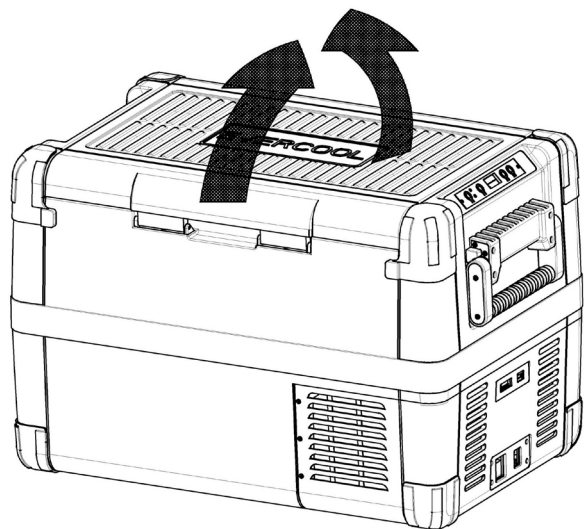
6.1 Before initial use

NOTE

Before starting your new cooler for the first time, you should clean it inside and outside with a damp cloth for hygienic reasons (please also refer to the "cleaning and maintenance" on page 19).

The lid can be removable, or can be opened from either side in an instant, 2 ways opening – left or right

6



Selecting the temperature units

Temperature display units can be switched between Celsius and Fahrenheit as follows:

- Switch on the cooler.
- Press the "SET" button (fig. ❸ 4, page 9) twice.
- Use the "UP+" (fig. ❸ 6, page 9) or "DOWN –" (fig. ❸ 7, page 9) buttons to select Celsius or Fahrenheit.
- The selected temperature units then appear in the display for a few seconds. The display flashes several times before it returns to the current temperature.

6.2 Energy saving tips

- Choose a well ventilated installation location which is protected against direct sunlight
- Allow warm food to cool down first before placing it in the device to keep cool.
- Do not open the cooling device more often than necessary.
- Do not leave the cooler unit open for longer than necessary.
- Defrost the cooler once a layer of ice forms.
- Avoid unnecessary low temperatures.



6.3 Connecting the cooler

Connecting to a battery (Vehicle or boat)

The cooler can be operated with 12 V or 24 V

Notice! Danger of damage!

Disconnect the cooler and other consumer units from the battery before you connect the battery to a quick charging device.

Overvoltage can damage the electronics of the device.

For safety reasons the cooler is equipped with an electronic system to prevent the polarity reversal. This protects the cooler against short-circuiting when connecting to a battery.

- Plug the 12/24 V connection cable into the device DC voltage socket (fig. ❶ 2, page 7) and also into a 12 V or 24 V cigarette lighter socket.

6.4 Using the battery monitor

The device is equipped with a multi-level battery monitor that protects your vehicle battery against excessive discharging when the device is connected to the on-board 12/24 V supply.

If the cooler is operated when the vehicle ignition is switched off, the cooler switches off automatically as soon as the supply voltage falls below a set level. The cooler will switch back on once the battery has been recharged to the restart voltage level.

NOTICE! Danger of damage!

When switched off by the battery monitor, the battery will no longer be full charged. Avoid starting repeatedly or operating current consumers without longer charging phases. Ensure that the battery is recharged!

In "HIGH" mode, the battery monitor responds faster than at the levels "LOW" and "MED" (see the following table).

Battery monitor mode	LOW	MED	HIGH
Switch-off voltage at 12V	10.1 V	11.4V	11.8V
Restart voltage at 12 V	11.1V	12.2V	12.6V
Switch-off voltage at 24V	21.5V	24.1V	24.6V
Restart voltage at 24V	23.0V	25.3V	26.2V

The battery monitor mode can be selected as follows:

Switch on the cooler.

- Press the "SET" button (fig. ❸ 4, page 9) three times
- Use the "UP+" (fig. ❸ 6, page 9) or "DOWN –" (fig. ❸ 7, page 9) buttons to select the battery monitor mode.
- Digital display will be as follows:
 - Lo (LOW), Md (MED), Hi (HIGH)
- ✓ The selected mode then appears in the display for a few seconds. The display flashes several times before it returns to the current temperature.

NOTE

When the cooler is supplied by the starter battery, Select the battery monitor mode "HIGH". If the cooler is connected to a supply battery, the battery monitor mode "LOW" will suffice.



6.5 Using the freezer

NOTICE! Danger of overheating!

Ensure at all times that there is sufficient ventilation so that the heat that generated during operation can dissipate. Ensure that the ventilation slots are not covered. Make sure that the device is sufficiently far away from walls and other objects so that the air can circulate.

- Place the Freezer on a firm foundation. Make sure that the ventilation slots are not covered and that the heated air can dissipate.

NOTE

Place the freezer as shown (fig. 1, Page 7). If you operate the box in a different position it can be damaged.

- Close the freezer, see "Connecting the Freezer" on page.

NOTICE! Danger from excessively low temperature!

Ensure that the only those objects are placed in the cooler that are intended to be cooled at the selected temperature.

- Press the "ON/OFF" button (fig. 1, page 9) for between one and two seconds.
- The LED lights up (fig. 2, page 9)
- The display (fig. 5, page 9) switches on and shows the current cooling temperature.

NOTE

Displayed temperature

ECF-28, ECF-35:

The temperature displayed is that of the middle of the large interior compartment

All models:

Temperature elsewhere in the compartment (sway from centre) will deviate from displayed temperature. The freezer starts cooling the interior.

NOTE

When operating with the battery, the display switches off automatically if the battery voltage is low. The LED flashes orange.

Latching the cooler lid

- Close the lid.
- Press the latch (fig 1, page 9) down, until it latches in place audibly.

6.6 Setting the temperature

- Press the "SET" button (fig. 4, page 9) once.
- Use the "UP + (fig. 6, page 9)" and "DOWN - (fig. 7, page 9)" buttons to select the cooling temperature.
- The cooling temperature appears in the display for a few seconds. The display flashes several times then the current temperature is displayed again.

6.7 Using the emergency switch (where fitted)

The emergency switch (fig. 1, page 10) is located below the control panel. For normal operation the switch is in the "NORMAL USE" position.

- If an electronic control failure occurs, slide the switch to "EMERGENCY OVERRIDE" position

NOTE

If the switch is in the "EMERGENCY OVERRIDE" position, the cooler freezes with full cooling capacity.



6.8 Switching off the Freezer

- Empty the Freezer.
- Switch the Freezer off.
- Pull out the connection cable.

If you do not want to use the freezer for a longer period of time:

- Leave the cover slightly open. This prevents odour build-up.

6.9 Defrosting the cooler

Humidity can form frost in the interior of the cooling devices or on the evaporator. This reduces the cooling capacity. Defrost the device in good time to avoid this.

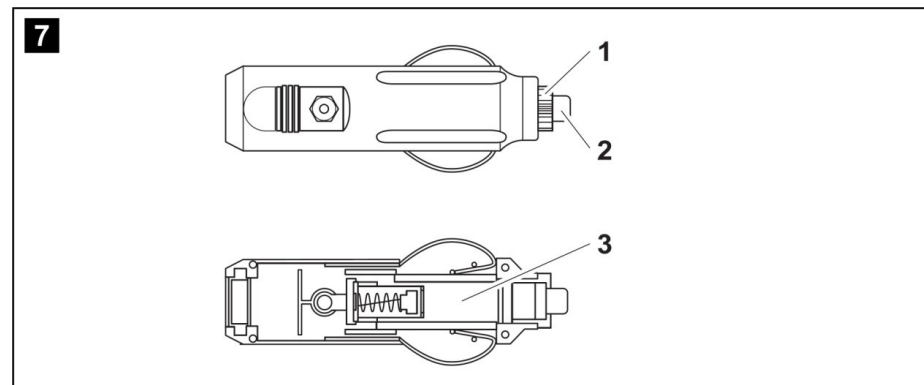
NOTICE! Danger of damage!

Never use hard or pointed tools to remove ice or to loosen objects which have frozen in place.

To defrost the freezer, proceed as follows:

- Take out the contents of the cooling device.
- If necessary, place them in another cooling device to keep them cool.
- Switch off the device.
- Leave the lid open
- Wipe off the defrosted water

6.10 Replacing the plug fuse (12/24 V)

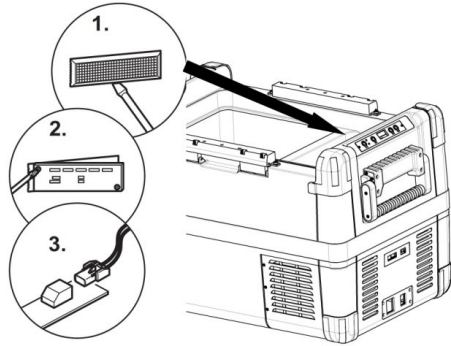


- Turn anticlockwise the cap (fig. 7 1) to move it and pin (fig. 7 2) from the plug.
- Press one end of defective fuse (fig. 7 3) with a new one that has the same rating
- Re-assemble the plug in the reverse order.



6.11 Replacing the light PCB

8



Pry out the transparent cover with a screwdriver (fig. 8 1)

- Unscrew the PCB mounting screws (fig. 8 2)
- Pull out the plug from the PCB (fig. 8 3)
- Replace the defective light PCB with a new one.
- Fit new PCB using reverse of removal instructions.
- Press the transparent cover back into the housing.

7 Cleaning and maintenance

WARNING!

Always disconnect the device from the mains before you clean and service it.

NOTICE! Risk of damage

- Never clean the cooler under running water or in dish water.
- Do not use abrasive cleaning agents or hard objects during cleaning as these can damage the cooler.
- Occasionally clean the device interior and exterior with a damp cloth.



8 Troubleshooting

Fault	Possible cause	Suggested remedy
Device does not function, LED does not glow	There is no voltage present in the 12/24 V socket (cigarette lighter) in your vehicle.	The ignition must be switched on in most vehicles to apply current to the cigarette lighter.
The device does not cool (plug is inserted "POWER" LED is lit).	Defective compressor	This can only be repaired by an authorized customer services unit.
The device does not cool (plug is inserted, "POWER" LED flashed orange, display is switched off).	Battery voltage is too low.	Test the battery and charge it as needed.
When operating from the 12/24-V socket (cigarette lighter): The ignition is on and the device is not working and the LED is not lit. Pull the plug out of the socket and make the following checks	The cigarette lighter socket is dirty. This results in a poor electrical contact	If the plug of your cooler becomes very warm in the cigarette lighter socket, either the lighter socket must be cleaned or the plug has not been assembled correctly
	The fuse of the 12/24 V plug has blown.	Replace the fuse(10A) in the 12/24 V plug, see " Replacing the plug fuse(12/24 V)" on page 18
	The Vehicle fuse has blown	Replace the vehicle's 12/24 V socket fuse (usually 15 A).
Please refer your vehicle's operating manual		
The display shows an error message (e.g. "Err1") and the appliance does not cool.	The appliance has switched off due to an internal fault	This can only be repaired by an authorized repair centre.



9 Technical data

Item No.	ECF28 - DEEP COOL 28L 590145	ECF35 - DEEP COOL 35L 590137
Connection voltage:	DC 12/24V	
Power consumption	DC 12V 3.2A DC 24V 1.6A	DC 12V 3.8A DC 24V 1.9A
Cooling capacity:	-18 °C to +10 °C	
Category:	1	
Gross volume:	28L	35L
Climate class:	N, T	
Ambient temperature:	+16 °C to +43 °C	
Noise emission:	43 dB(A)	
Dimensions(W*H*D)in mm:	557*374*367	557*374*407
Weight:	12.0KGS	14.0KGS

NOTE:

DEEP COOL 35L
Actual capacity is 33 L.

If the ambient temperature is above +32 °C (+90 °F), the minimum temperature cannot be attained.

The cooling circuit contains R -1234yf.



Bitte lesen Sie diese Bedienungsanleitung sorgfältig durch, bevor Sie das Gerät verwenden. Bewahren Sie diese Bedienungsanleitung an einem sicheren Ort auf, damit Sie bei Bedarf später darauf zurückgreifen können. Wenn Sie das Gerät einer anderen Person überlassen, müssen Sie diese Bedienungsanleitung ebenfalls dieser Person übergeben.

Der Hersteller haftet nicht für Schäden, die infolge einer **nicht bestimmungsgemäßen** Verwendung oder **falschen Betriebsweise** entstehen.

INHALT

1	Erklärung der Symbole	15
2	Sicherheitshinweise	16
	2.1 Allgemeine Sicherheitshinweise.....	16
	2.2 Sicherer Betrieb des Geräts.....	16
3	Lieferumfang	17
	3.1 Zubehör.....	17
4	Bestimmungsgemäße Verwendung	17
5	Funktionsbeschreibung	18
	5.1 Funktionsumfang.....	18
	5.2 Bedienelemente und Displaykomponenten.....	18
6	Betrieb	20
	6.1 Vor dem ersten Gebrauch.....	20
	6.2 Tipps zum Energiesparen.....	21
	6.3 Anschließen der Kühlbox.....	21
	6.4 Verwenden der Batterieüberwachung.....	21
	6.5 Verwenden der Kühlbox.....	22
	6.6 Einstellen der Temperatur.....	23
	6.7 Verwenden des Notschalters (falls vorhanden).....	23
	6.8 Ausschalten der Kühlbox.....	23
	6.9 Abtauen der Kühlbox.....	23
	6.10 Austauschen der Sicherung im Stecker (12/24 V).....	23
	6.11 Austauschen der Lichtleiterplatte.....	24
7	Reinigung und Pflege	24
8	Störungssuche und -behebung	25
9	Technische Daten	26

1 ERKLÄRUNG DER SYMBOLE

GEFAHR!

Sicherheitshinweis: Gefährdung mit hohem Risiko, die unmittelbar Tod oder schwere Körperverletzungen zur Folge haben wird, wenn sie nicht vermieden wird.

WARNUNG!

Sicherheitshinweis: Gefährdung mit mittlerem Risiko, die möglicherweise Tod oder schwere Körperverletzungen zur Folge haben wird, wenn sie nicht vermieden wird.

VORSICHT!

Sicherheitshinweis: Gefährdung mit geringem Risiko, die leichte oder mittelschwere Körperverletzungen zur Folge haben könnte, wenn sie nicht vermieden wird.

ACHTUNG!

Bei Nichtbeachtung dieser Anweisung kann es zu Sachschäden oder einem Funktionsverlust des Produkts kommen.

HINWEIS

Zusätzliche Informationen zum Betrieb des Produkts.

Aktion erforderlich: Dieses Symbol weist darauf hin, dass Maßnahmen Ihrerseits erforderlich sind. Die erforderlichen Maßnahmen werden Schritt für Schritt beschrieben. Dieses Symbol beschreibt das Ergebnis einer Maßnahme.

Diese Kennzeichnung verweist auf ein Element in einer Abbildung. In diesem Beispiel verweist sie auf das Element 5 in Abbildung 1 auf Seite 3.

BEDIENUNGSANLEITUNG

2 Sicherheitshinweise

2.1 Allgemeine Sicherheitshinweise

WARNUNG!

- Verwenden Sie das Gerät nicht, wenn es sichtbar beschädigt ist.
- Das Gerät darf nur von qualifiziertem Personal repariert werden.
- Unsachgemäße Reparaturen können gefährlich sein.
- Personen (einschließlich Kinder), deren physische, sensorische oder mentale Fähigkeiten eingeschränkt sind oder die nicht über die erforderlichen Erfahrungen und Kenntnisse verfügen, um dieses Gerät gefahrlos zu benutzen, dürfen dieses Gerät nur dann verwenden, wenn sie unter der Aufsicht einer für sie verantwortlichen Person stehen oder von dieser Person in die Verwendung dieses Geräts eingewiesen worden sind.
- Elektrische Geräte sind kein Spielzeug.
- Das Gerät muss immer außerhalb der Reichweite von Kindern verwendet und aufbewahrt werden.
- Kinder müssen beaufsichtigt werden, damit sie nicht mit dem Gerät spielen.
- Wenn das Stromkabel des Geräts beschädigt ist, muss es vom Hersteller, dem Kundenservice oder einer Person mit vergleichbarer Qualifikation repariert werden, um eine Gefährdung zu vermeiden.
- Bewahren Sie keine explosionsgefährlichen Produkte wie Sprühdosen mit Treibmitteln im Gerät auf.

VORSICHT!

- Trennen Sie das Gerät von der Stromversorgung,
 - bevor Sie es reinigen oder warten
 - sowie nach dem Gebrauch.
- Lebensmittel dürfen nur in der Originalverpackung oder in geeigneten Behältern im Gerät aufbewahrt werden.

ACHTUNG!

- Gehen Sie beim Anschließen des Geräts wie folgt vor:
- Schließen Sie das Gleichstromkabel an eine Gleichstrombuchse im Fahrzeug an (z. B. Zigarettenanzünder).
- Oder schließen Sie es zuerst an einen Wechselstrom-Adapter an und danach an das Stromnetz (100–240 V AC) – optional.
- Stellen Sie sicher, dass die Spannungsangaben auf dem Typenschild mit der Stromversorgung übereinstimmen.
- Die Kühlbox ist nicht für den Transport von ätzenden oder lösungsmittelhaltigen Stoffen geeignet.
- Ziehen Sie den Stromstecker niemals am Kabel aus der Steckdose/Buchse.
- Wenn die Kühlbox an die Gleichstrombuchse angeschlossen ist: Trennen Sie die Kühlbox und andere stromverbrauchende Geräte von der Batterie, bevor Sie ein Schnellladegerät anschließen.
- Wenn die Kühlbox an die Gleichstrombuchse angeschlossen ist: Ziehen Sie das Stromkabel der Kühlbox heraus oder schalten Sie sie ab, wenn Sie den Motor ausschalten. Andernfalls kann sich die Batterie entladen.

2.2 Sicherer Betrieb des Geräts

GEFAHR!

- Berühren Sie niemals freiliegende Leitungen mit der bloßen Hand. Dies gilt insbesondere beim Betrieb eines Geräts, das an die Netzversorgung (Wechselstrom) angeschlossen ist.

VORSICHT!

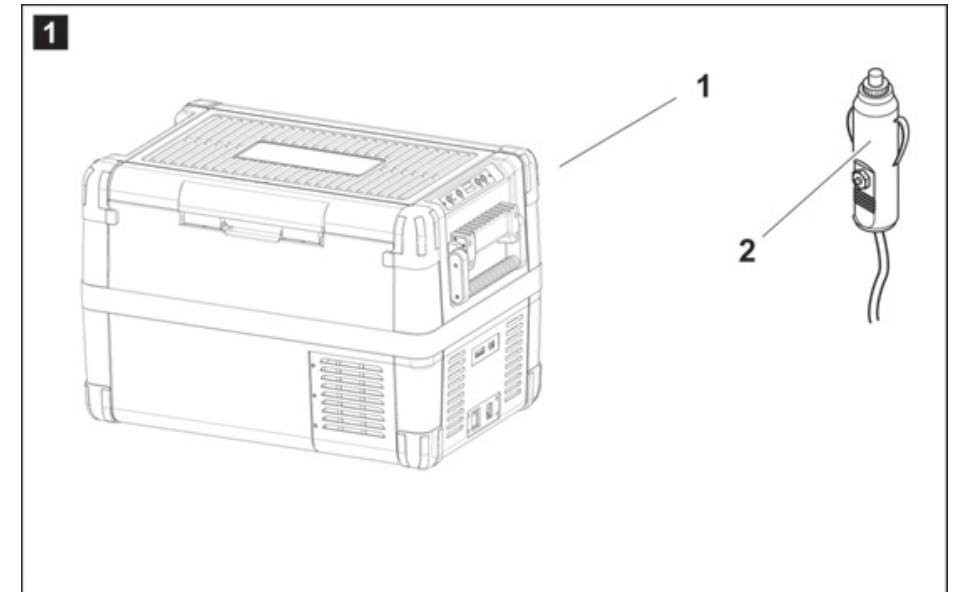
- Bevor Sie das Gerät in Betrieb nehmen, stellen Sie sicher, dass das Stromkabel und der Stecker unbeschädigt sind.

ACHTUNG!

- Legen Sie keine elektrischen Geräte in die Kühlbox, es sei denn, sie wurden vom Hersteller für diesen Zweck empfohlen.
- Platzieren Sie das Gerät nicht neben offenen Flammen oder anderen Wärmequellen (Heizgeräte, direktes Sonnenlicht, Gasöfen usw.).
- Überhitzungsgefahr!
- Stellen Sie sicher, dass jederzeit eine ausreichende Belüftung vorhanden ist, damit die im Betrieb entstehende Wärme sich nicht anstauen kann. Stellen Sie sicher, dass das Gerät in einem ausreichenden Abstand zu Wänden oder anderen Objekten aufgestellt ist, damit die Luft zirkulieren kann.
- Achten Sie darauf, dass die Lüftungsschlitze nicht verdeckt werden.
- Befüllen Sie den inneren Behälter niemals mit Eis oder Flüssigkeiten.
- Tauchen Sie das Gerät niemals in Wasser ein.
- Schützen Sie das Gerät und das Kabel vor Hitze und Feuchtigkeit.

BEDIENUNGSANLEITUNG

3 Lieferumfang



Position	Menge	Beschreibung
1	1	Kühlbox
2	1	Gleichstromkabel für 12/24 V
-	1	Wechselstrom-Adapter für 100–240 V – optional
-	1	Bedienungsanleitung

4 Bestimmungsgemäße Verwendung

Die Kühlbox ist zum Kühlen und Tiefkühlen von Lebensmitteln bestimmt. Die Kühlbox ist auch für den Gebrauch auf Booten geeignet.

Das Gerät wird über eine 12- oder 24-Volt-Gleichstrombuchse eines Fahrzeugs (z. B. Zigarettenanzünder) betrieben.

VORSICHT! Gesundheitsgefahr!

Bitte überprüfen Sie, ob die Kälteleistung des Geräts für die Lebensmittel oder Medikamente, die Sie kühlen möchten, ausreichend ist.

BEDIENUNGSANLEITUNG

5 FUNKTIONSBESCHREIBUNG

Die Kühlbox kann Produkte kühlen, kühlhalten und tiefkühlen. Die Kühlung wird durch einen Kältekreis mit Kompressor erzeugt, der nur minimale Wartungsarbeiten erfordert. Die umfassende Isolierung und der leistungsstarke Kompressor sorgen für eine effiziente und schnelle Kühlung.

Die Kühlbox ist tragbar.

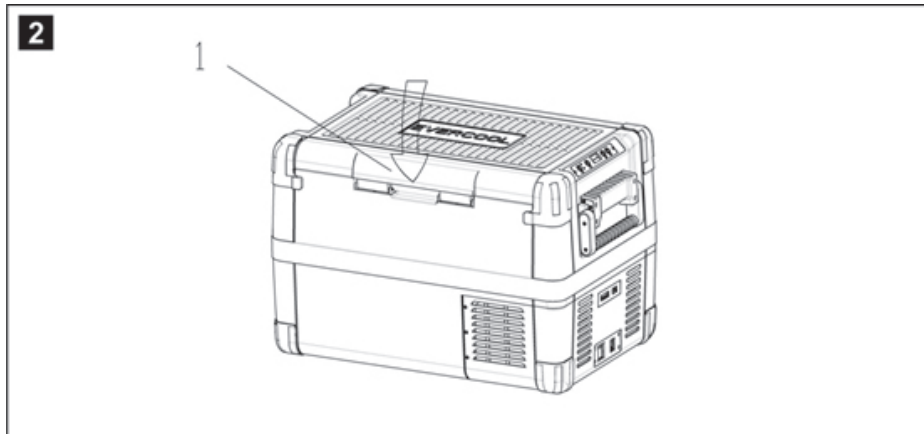
Die Kühlbox kann einer konstanten Neigung von 30° standhalten (z. B. bei der Verwendung auf Booten).

5.1 Funktionsumfang

- Stromversorgung mit Vorrangschaltung für den Anschluss an das Wechselstromnetz
- Dreistufige Batterieüberwachung zum Schutz der Autobatterie
- Display mit Temperaturanzeige in Grad Celsius und Grad Fahrenheit
- Automatisches Abschalten bei niedriger Batteriespannung
- Temperatureinstellung: mithilfe von zwei Tasten in Schritten von 1 °C (2 °F)
- Einklappbare Tragegriffe
- Notschalter (nicht bei allen Modellen)
- Herausnehmbarer Drahtkorb

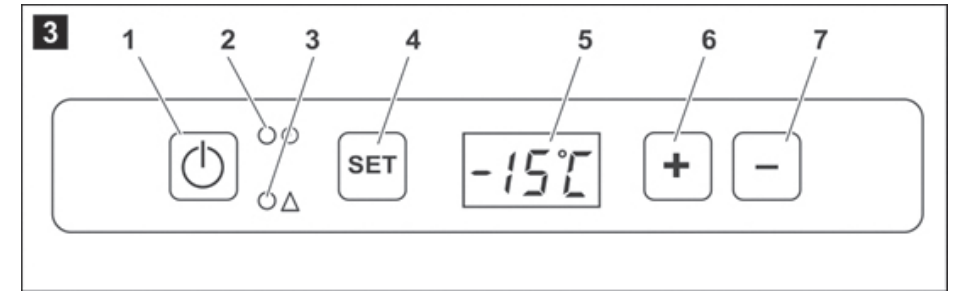
5.2 Bedienelemente und Displaykomponenten

Deckelverschluss, Abb. 2



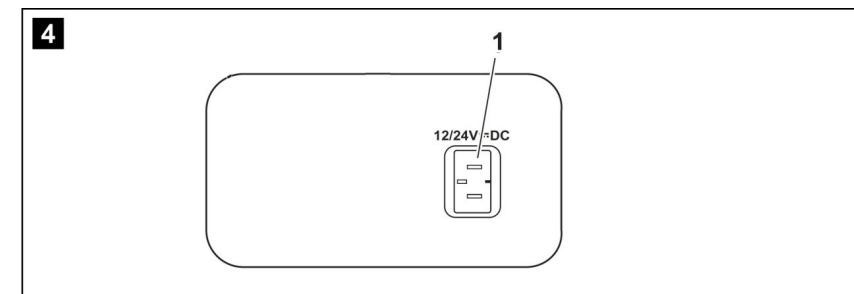
BEDIENUNGSANLEITUNG

Bedienfeld, Abb. 3



Position	Bezeichnung	Erläuterung	
1	EIN AUS	Drücken Sie diese Taste ein bis zwei Sekunden lang, um die Kühlung ein- oder auszuschalten.	
2	POWER	Statusanzeige	
		LED leuchtet grün: Kompressor ist eingeschaltet	
		LED leuchtet orange: Kompressor ist ausgeschaltet	
3	FEHLER	Blinkt	Fehlertyp
	LED blinkt rot	5	Überhitzungsschutz der Steuerung hat ausgelöst
		4	Mindestgeschwindigkeit des Motors
		3	Fehler beim Motorstart
		2	Überstromschutz des Lüfters hat ausgelöst
		1	Batterieschutz hat ausgelöst
4	SET	Dient zum Einstellen von: - Temperatur - Anzeige in Celsius oder Fahrenheit - Batterieüberwachung	
5	POWER	Display – zeigt Informationen an	
6		Einmal drücken, um den Wert zu erhöhen	
7		Einmal drücken, um den Wert zu senken	

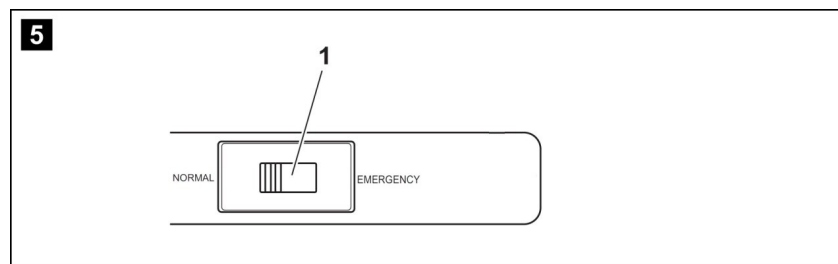
Anschlussbuchse, Abb. 4



BEDIENUNGSANLEITUNG

Position	Beschreibung
1	Anschlussbuchse für die Gleichstromversorgung

Notschalter (falls vorhanden), Abb. 5



Position	Beschreibung
1	Notschalter

6 Betrieb

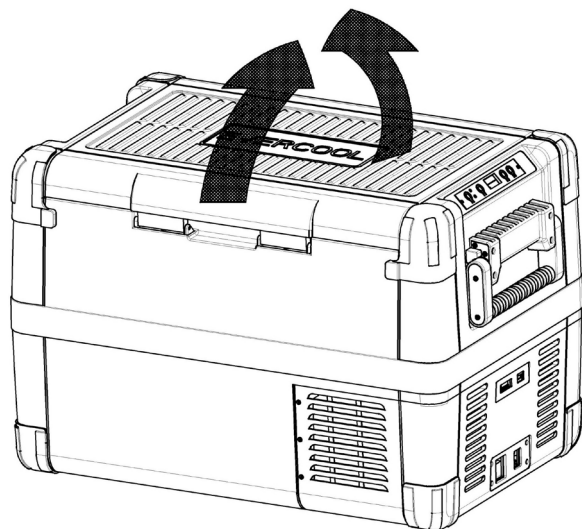
6.1 Vor dem ersten Gebrauch

HINWEIS

Bevor Sie Ihre neue Kühlbox zum ersten Mal in Betrieb nehmen, sollten Sie die Box aus hygienischen Gründen innen und außen mit einem feuchten Tuch reinigen (siehe auch Abschnitt „Reinigung und Wartung“ auf Seite 19).

Der Deckel kann entweder abgenommen oder im Handumdrehen von einer der beiden Seiten geöffnet werden.

6



BEDIENUNGSANLEITUNG

Einstellen der Temperatureinheit

Sie können zwischen den Einheiten Grad Celsius und Grad Fahrenheit für die Temperaturanzeige wie folgt wechseln:

- Schalten Sie die Kühlbox ein.
- Drücken Sie zweimal auf die SET-Taste (Abb. 9, Pos. 4, Seite 9).
- Wählen Sie mit den Tasten „+“ (Abb. 9, Pos. 6, Seite 9) oder „-“ (Abb. 9, Pos. 7, Seite 9) Celsius oder Fahrenheit aus.
- Die ausgewählte Einheit wird dann einige Sekunden lang auf dem Display angezeigt. Anschließend blinkt das Display mehrmals und kehrt dann zur aktuellen Temperatur zurück.

6.2 Tipps zum Energiesparen

- Stellen Sie die Kühlbox an einem gut belüfteten Ort auf, an dem sie vor direktem Sonnenlicht geschützt ist.
- Lassen Sie warmes Essen abkühlen, bevor Sie es zum Kühlen in das Gerät legen.
- Öffnen Sie das Gerät nicht öfter als nötig.
- Lassen Sie das Gerät nicht länger als nötig offen.
- Tauen Sie das Gerät ab, sobald sich eine Eisschicht gebildet hat.
- Stellen Sie Temperatur nicht niedriger als nötig ein.

6.3 Anschließen der Kühlbox

Anschließen an eine Batterie (Auto oder Boot)

Die Kühlbox kann mit 12 oder 24 V betrieben werden.

ACHTUNG! Risiko von Sachschäden!

Trennen Sie die Kühlbox und andere stromverbrauchende Geräte von der Batterie, bevor Sie ein Schnellladegerät an die Batterie anschließen. Eine Überspannung kann die Elektronik des Geräts beschädigen.

Aus Sicherheitsgründen ist die Kühlbox mit einem elektronischen Verpolungsschutz ausgestattet. Dieser schützt die Kühlbox vor einem Kurzschluss, wenn sie an eine Batterie angeschlossen wird.

- Stecken Sie das Gleichstromkabel (12/24 V) in die Gleichstrombuchse des Geräts (Abb. 1, Pos. 2, Seite 7) sowie in einen 12- oder 24-Volt-Zigarettenanzünder.

6.4 Verwenden der Batterieüberwachung

Das Gerät ist mit einer mehrstufigen Batterieüberwachung ausgestattet, die Ihre Autobatterie vor einer übermäßigen Entladung schützt, wenn das Gerät an die Gleichstrombuchse (12/24 V) des Fahrzeugs angeschlossen ist.

Ist die Kühlbox in Betrieb, während das Fahrzeug ausgeschaltet ist, schaltet sie sich automatisch aus, sobald die Versorgungsspannung unter einen voreingestellten Wert fällt. Die Kühlbox schaltet sich wieder ein, wenn die Batterie wieder auf die erforderliche Einschaltspannung aufgeladen ist.

ACHTUNG! Risiko von Sachschäden!

Wenn das Gerät von der Batterieüberwachung infolge einer niedrigen Spannung der Autobatterie ausgeschaltet wurde, darf die Kühlbox erst dann wieder eingeschaltet werden, wenn die Autobatterie wieder vollständig aufgeladen wurde. Vermeiden Sie wiederholte Ladevorgänge und die Verwendung von stromverbrauchenden Geräten, ohne längere Aufladephasen vorzusehen. Stellen Sie sicher, dass die Batterie wieder vollständig aufgeladen wird!

In der Betriebsart „HIGH“ ist die Reaktionszeit der Batterieüberwachung kürzer als in den Betriebsarten „LOW“ und „MED“ (siehe folgende Tabelle).

Betriebsart Batterieüberwachung	LOW	MED	HIGH
Abschaltspannung (12 V)	10,1 V	11,4 V	11,8 V
Einschaltspannung (12 V)	11,1 V	12,2 V	12,6 V
Abschaltspannung (24 V)	21,5 V	24,1 V	24,6 V
Einschaltspannung (24 V)	23,0 V	25,3 V	26,2 V

BEDIENUNGSANLEITUNG

Sie können die Betriebsart der Batterieüberwachung wie folgt auswählen:

Schalten Sie die Kühlbox ein.

- Drücken Sie dreimal auf die SET-Taste (Abb. ②, Pos. 4, Seite 9).
- Wählen Sie mit den Tasten „+“ (Abb. ②, Pos. 6, Seite 9) oder „-“ (Abb. ②, Pos. 7, Seite 9) die gewünschte Betriebsart aus.
- Die Betriebsarten werden auf dem Display wie folgt angezeigt:
- Lo (LOW), Md (MED), Hi (HIGH)
- Die ausgewählte Betriebsart wird dann einige Sekunden lang auf dem Display angezeigt. Anschließend blinkt das Display mehrmals und kehrt dann zur aktuellen Temperatur zurück.

HINWEIS

Wenn die Kühlbox über eine Starterbatterie versorgt wird, wählen Sie die Betriebsart „HIGH“ aus. Wenn die Kühlbox über eine Versorgungsbatterie versorgt wird, ist die Betriebsart „LOW“ ausreichend.

6.5 Verwenden der Kühlbox

ACHTUNG! Überhitzungsgefahr!

Stellen Sie sicher, dass jederzeit eine ausreichende Belüftung vorhanden ist, damit die im Betrieb entstehende Wärme ordnungsgemäß abgeführt wird. Achten Sie darauf, dass die Lüftungsschlitze nicht verdeckt werden. Stellen Sie sicher, dass das Gerät in einem ausreichenden Abstand zu Wänden oder anderen Objekten aufgestellt ist, damit die Luft zirkulieren kann.

- Stellen Sie die Kühlbox auf einem festen Untergrund auf.
- Achten Sie darauf, dass die Lüftungsschlitze nicht verdeckt sind und dass die warme Luft ordnungsgemäß abgeführt wird.

HINWEIS

Stellen Sie die Kühlbox wie dargestellt auf (Abb. ①, Seite 7). Wenn Sie die Kühlbox in einer anderen Position in Betrieb nehmen, wird sie möglicherweise beschädigt.

- Stellen Sie die Kühlbox wie in Abb. auf Seite 6 dargestellt auf.

ACHTUNG! Gefahr durch sehr niedrige Temperaturen!

Achten Sie darauf, dass nur Lebensmittel usw. in die Kühlbox gelegt werden, die mit der ausgewählten Temperatur gekühlt werden sollen.

- Drücken Sie ein bis zwei Sekunden lang die EIN/AUS-Taste (Abb. ③, Pos. 1, Seite 9).
- Jetzt leuchtet die LED auf (Abb. ③, Pos. 2, Seite 9).
- Das Display (Abb. ③, Pos. 5, Seite 9) schaltet sich ein und zeigt die aktuelle Kühltemperatur an.

HINWEIS

Angezeigte Temperatur

ECF-28, ECF-35:

Es wird die Temperatur angezeigt, die in der Mitte des großen Fachs herrscht.

Alle Modelle:

An anderen Stellen im Fach (entfernt von der Mitte) wird die Temperatur von der angezeigten abweichen. Die Kühlung beginnt im Inneren der Kühlbox.

HINWEIS

Beim Betrieb über eine Batterie schaltet sich das Display automatisch aus, wenn die Batteriespannung niedrig ist. Die LED blinkt dann orange.

Arretieren des Deckels

- Schließen Sie den Deckel.
- Drücken Sie den Verschluss (Abb. , Pos. 1, Seite 9) herunter, bis er hörbar einrastet.

BEDIENUNGSANLEITUNG

6.6 Einstellen der Temperatur

- Drücken Sie einmal auf die SET-Taste (Abb. ②, Pos. 4, Seite 9).
- Wählen Sie mit den Tasten „+“ (Abb. ②, Pos. 6, Seite 9) oder „-“ (Abb. ②, Pos. 7, Seite 9) die gewünschte Kühltemperatur aus.
- Die ausgewählte Kühltemperatur wird dann einige Sekunden lang auf dem Display angezeigt. Anschließend blinkt das Display mehrmals und kehrt dann zur aktuellen Temperatur zurück.

6.7 Verwenden des Notschalters (falls vorhanden)

Der Notschalter (Abb. ④, Pos. 1, Seite 10) befindet sich am Bedienfeld. Während des normalen Betriebs befindet sich der Schalter in der Position „NORMAL“.

- Schieben Sie den Schalter beim Ausfall der elektrischen Steuerung in die Position „EMERGENCY“.

HINWEIS

Wenn der Schalter auf „EMERGENCY“ gestellt ist, läuft die Kühlbox mit maximaler Kühlleistung.

6.8 Ausschalten der Kühlbox

- Entleeren Sie die Kühlbox.
- Schalten Sie die Kühlbox aus.
- Ziehen Sie das Anschlusskabel heraus.

Wenn Sie die Kühlbox über eine längere Zeit nicht benutzen wollen:

- Lassen Sie den Deckel leicht geöffnet. Dadurch wird verhindert, dass sich Gerüche bilden.

6.9 Abtauen der Kühlbox

Feuchtigkeit kann zu einer Frostbildung im Inneren der Kühlbox oder auf dem Verdampfer führen. Dadurch wird die Kühlleistung herabgesetzt. Tauen Sie das Gerät rechtzeitig ab, um dies zu vermeiden.

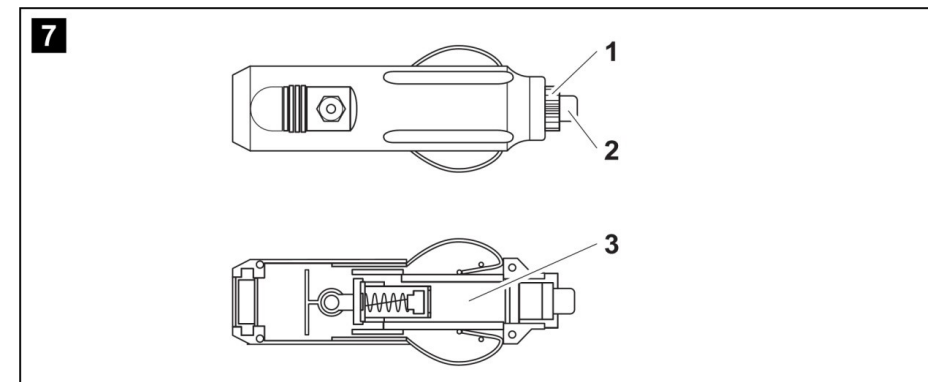
ACHTUNG! Risiko von Sachschäden!

Verwenden Sie niemals harte oder spitze Gegenstände, um Eis zu entfernen oder Angefrorenes zu lösen.

Gehen Sie zum Abtauen der Kühlbox wie folgt vor:

- Entleeren Sie die Kühlbox.
- Falls erforderlich, legen Sie den Inhalt der Kühlbox in ein anderes Kühlgerät.
- Schalten Sie das Gerät aus.
- Lassen Sie den Deckel offen.
- Wischen Sie das abgetaute Wasser auf.

6.10 Austauschen der Sicherung im Stecker (12/24 V)

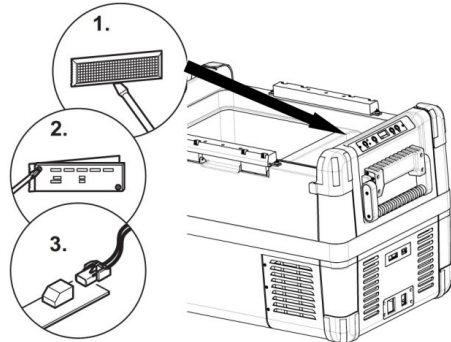


- Schrauben Sie die Abdeckung des Steckers (Abb. ⑦, Pos. 1) zusammen mit dem Stift (Abb. ⑦, Pos. 2) gegen den Uhrzeigersinn ab.
- Ersetzen Sie die defekte Sicherung (Abb. ⑦, Pos. 3) durch eine neue mit derselben Leistung.
- Bauen Sie den Stecker in umgekehrter Reihenfolge wieder zusammen.

BEDIENUNGSANLEITUNG

6.11 Austauschen der Lichtleiterplatte

8



- Hebeln Sie die transparente Abdeckung mit einem Schraubendreher heraus (Abb. 8, Pos. 1).
- Lösen Sie die Schrauben, mit denen die Leiterplatte befestigt ist (Abb. 8, Pos. 2).
- Ziehen Sie den Stecker der Leiterplatte (Abb. 8, Pos. 3).
- Ersetzen Sie die defekte Lichtleiterplatte durch eine neue.
- Montieren Sie die neue Leiterplatte in umgekehrter Reihenfolge.
- Drücken Sie die transparente Abdeckung wieder auf das Gehäuse.

7 Reinigung und Pflege

WARNUNG!

Trennen Sie das Gerät immer von der Stromversorgung, bevor Sie es reinigen oder warten.

ACHTUNG! Risiko einer Beschädigung

- Reinigen Sie die Kühlbox niemals unter fließendem Wasser oder in einer Spülmaschine.
- Verwenden Sie keine scheuernden Reinigungsmittel oder harte Gegenstände beim Reinigen, da diese die Kühlbox beschädigen können.
- Reinigen Sie das Innere des Geräts regelmäßig mit einem feuchten Tuch.

BEDIENUNGSANLEITUNG




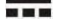

8 Störungssuche und -behebung

Störung	Mögliche Ursache	Abhilfe
Das Gerät funktioniert nicht und die LED ist aus.	Es liegt keine Spannung in der 12-/24-Volt-Buchse (Zigarettenanzünder) in Ihrem Fahrzeug an.	Sie müssen bei den meisten Fahrzeugen die Zündung einschalten, damit der Zigarettenanzünder mit Strom versorgt wird.
Das Gerät kühlt nicht (Stecker ist eingesteckt, „POWER“-LED leuchtet).	Defekter Kompressor	Diese Störung kann nur von einem autorisierten Kundendienstmitarbeiter behoben werden.
Das Gerät kühlt nicht (Stecker ist eingesteckt, „POWER“-LED blinkt orange, Display ist aus).	Die Batteriespannung ist zu niedrig.	Prüfen Sie die Batterie und laden Sie sie bei Bedarf auf.
Beim Betrieb über die 12-/24-Volt-Buchse (Zigarettenanzünder): Die Zündung des Fahrzeugs ist eingeschaltet, aber das Gerät funktioniert nicht und die LED ist aus. Ziehen Sie den Stecker heraus und prüfen Sie, ob eine der folgenden möglichen Ursachen vorliegt.	Der Zigarettenanzünder ist verschmutzt. Dies kann zu einem schlechten elektrischen Kontakt führen.	Wenn der Stecker im Zigarettenanzünder sehr warm wird, muss entweder der Zigarettenanzünder gereinigt werden oder der Stecker wurde nicht richtig zusammengesetzt.
	Die Sicherung des Gleichspannungssteckers (12/24 V) ist durchgebrannt.	Ersetzen Sie die Sicherung (10 A) im Gleichspannungsstecker. Siehe Abschnitt „Austauschen der Sicherung im Stecker (12/24 V)“ auf Seite 18.
	Die Sicherung des Fahrzeugs ist durchgebrannt.	Ersetzen Sie die Sicherung (in der Regel 15 A) in der Gleichspannungsbuchse (12/24 V) des Fahrzeugs.
Bitte beachten Sie dabei die Bedienungsanleitung Ihres Fahrzeugs.	The appliance has switched off due to an internal fault	This can only be repaired by an authorized repair centre.
Auf dem Display wird eine Fehlermeldung angezeigt (z. B. „Err1“) und das Gerät kühlt nicht.	Das Gerät hat sich aufgrund einer internen Störung abgeschaltet.	Diese Störung kann nur von einem autorisierten Kundendienstmitarbeiter behoben werden.

BEDIENUNGSANLEITUNG



9 Technische Daten

Produktbezeichnung	ECF28 - DEEP COOL 28L 590145	ECF35 - DEEP COOL 35L 590137
Anschlussspannung	12/24 V DC 	
Leistungsaufnahme	12 V DC  3,2 A 24 V DC  1,6 A	12 V DC  3,8 A 24 V DC  1,9 A
Kälteleistung	-18 bis +10 °C	
Kategorie	1	
Fassungsvermögen	28 l	35 l
Klimaklasse:	N, T	
Umgebungstemperatur	+16 bis +43 °C	
Geräuschemission	43 dB(A)	
Abmessungen (B x H x T) in mm:	557 x 374 x 367	557 x 374 x 407
Gewicht:	12,0 kg	14,0 kg

HINWEIS

DEEP COOL 35L:
Die tatsächliche Kapazität ist 33 L.

Bei einer Umgebungstemperatur über +32 °C (+90 °F) kann die Mindesttemperatur nicht erreicht werden.

Der Kältekreis enthält R-1234yf.

